

# WASTE PROCESSING PRPDUCTS

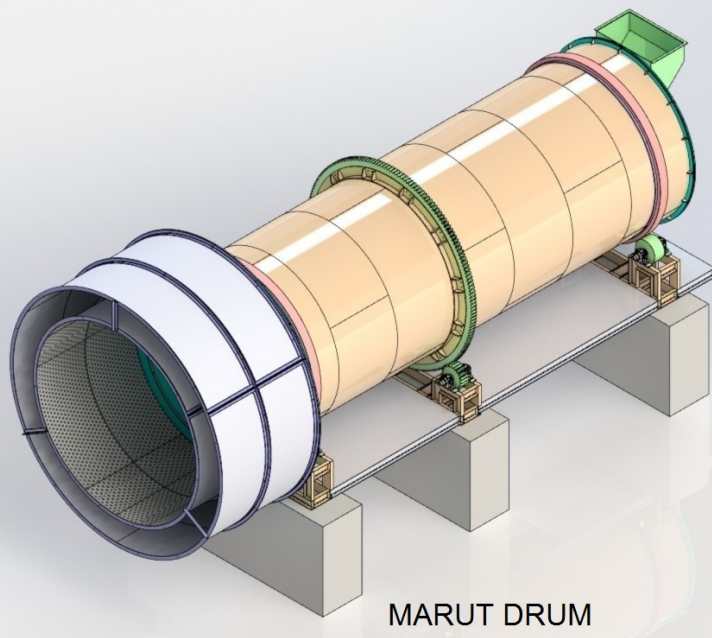
## MARUT<sup>TM</sup>

### PULVERISING AND RECOVERY DRUM

PRODUCT & EQUIPMENT PROFILE  
Prepared By ORSL



**ORGANIC RECYCLING  
SYSTEMS LIMITED**  
*CLEANTECH | INNOVATION | ENGINEERING*



# MARUT DRUM - PULVERISING AND RECOVERY

- MARUT is an organic pulverising and recovery equipment with capability to separate organic fraction from plastic and other dry waste fraction.
- Organic pulverising efficiency of 95%.
- Organic Recovery efficiency of 90%.
- Works under varying weather conditions.
- Suitable for Unsegregated OFMSW and Segregated organic waste.
- Adjustable particle size separation and made-to-order screening mechanism.
- Suitable for composting facilities, Transfer Station and Biogas plants.
- Capacity available from 1 Ton per hour to 10 Tons per hour.